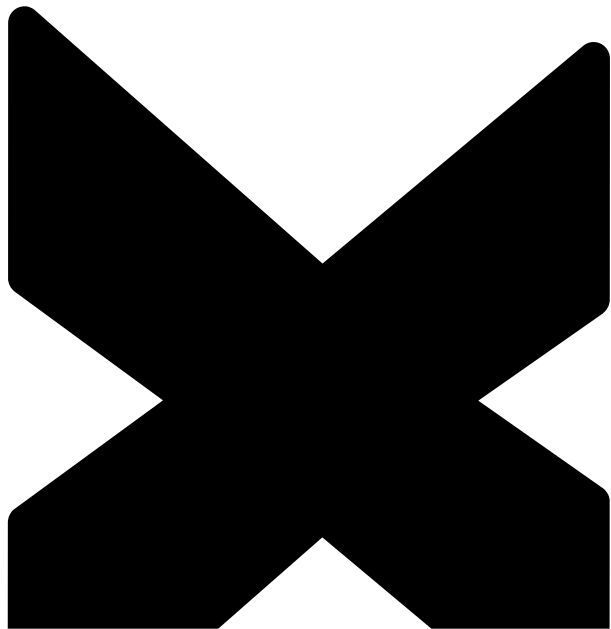


SIXPACK



EN

Millenium

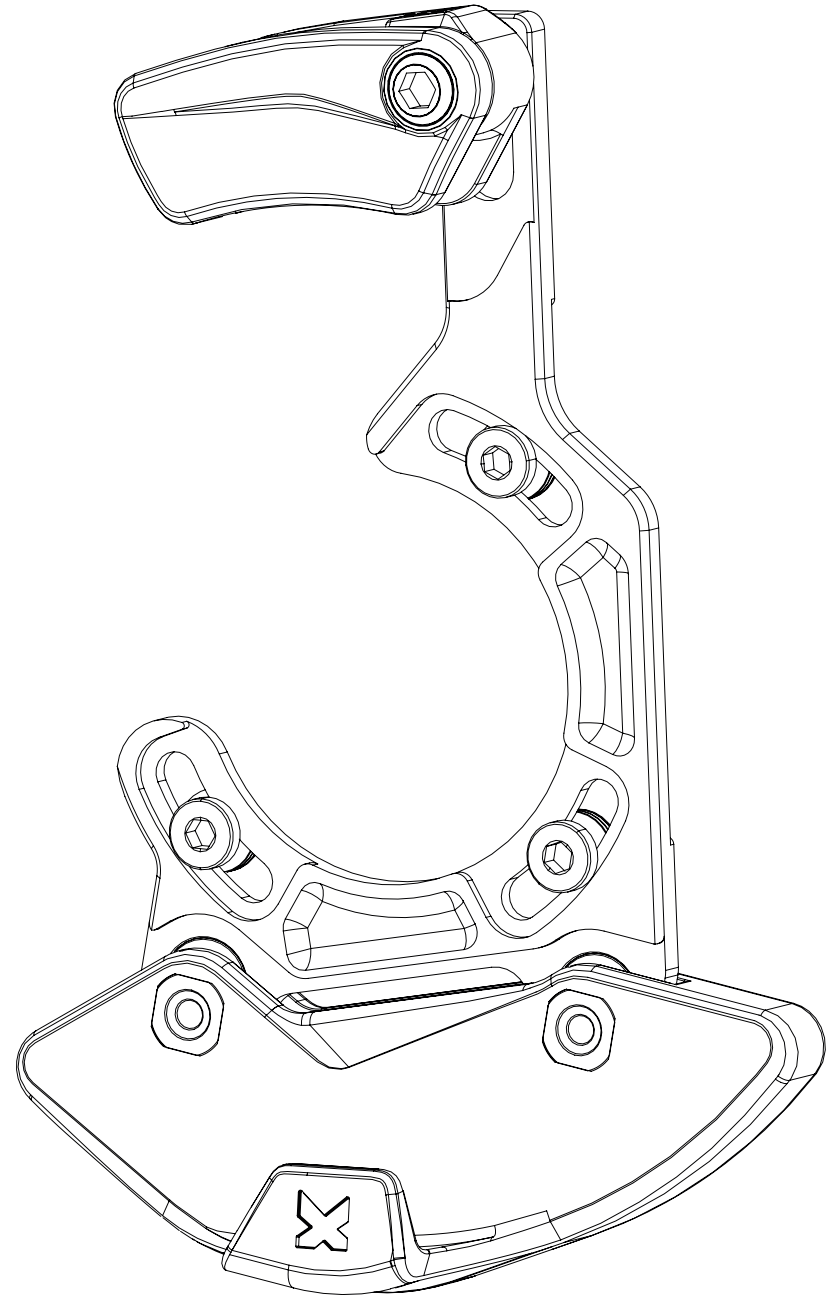
User Manual

Chain Guide



Content

Intended use	6
Compatibility	7
Guarantee / Crash Replacement	7
Setting the taco	8
Mounting the chain guide	10
Adjusting the chain guide	12
After a crash	15
Care and maintenance	15





Intended use

The Sixpack MILLENIUM chain guide is designed for category 5 according to ASTM F2043:

Category 5: Extreme use (downhill, freeride, dirt)

Category 5 includes the use of bikes and their components under the conditions of categories 1, 2, 3 and 4 as well as in demanding, heavily blocked and extremely steep terrain, which can only be mastered by technically experienced and very well trained riders. In this category, big jumps are to be expected as well as intensive use in bike parks or on downhill tracks. With these bikes it is essential to ensure that after each ride an intensive check for possible damage is carried out. Pre-damages can lead to failure even if further stresses are significantly lower. A regular replacement of safety-relevant components should also be considered. Wearing appropriate protective gear is absolutely essential. Long travel full-suspension bikes but also dirt bikes characterize this category.

Compatibility

The chain guide can be mounted on bikes with an ISCG 05 mount. No functional guarantee can be given when using ISCG 05 adapters.

The chain guide is compatible with Narrow-Wide and normal chainrings with 30 to 36 teeth. From the factory, the chain guide is delivered with the taco for 30 to 32 teeth, mounted in the position for 32 teeth.

Guarantee / Crash Replacement

The statutory warranty applies to all components. If damage occurs outside the warranty, contact us and we try to find an individual solution.



Assembly video

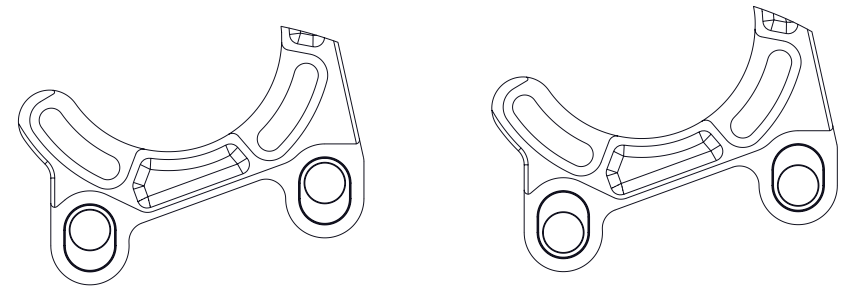
Scan the code and watch the video.



Setting the taco

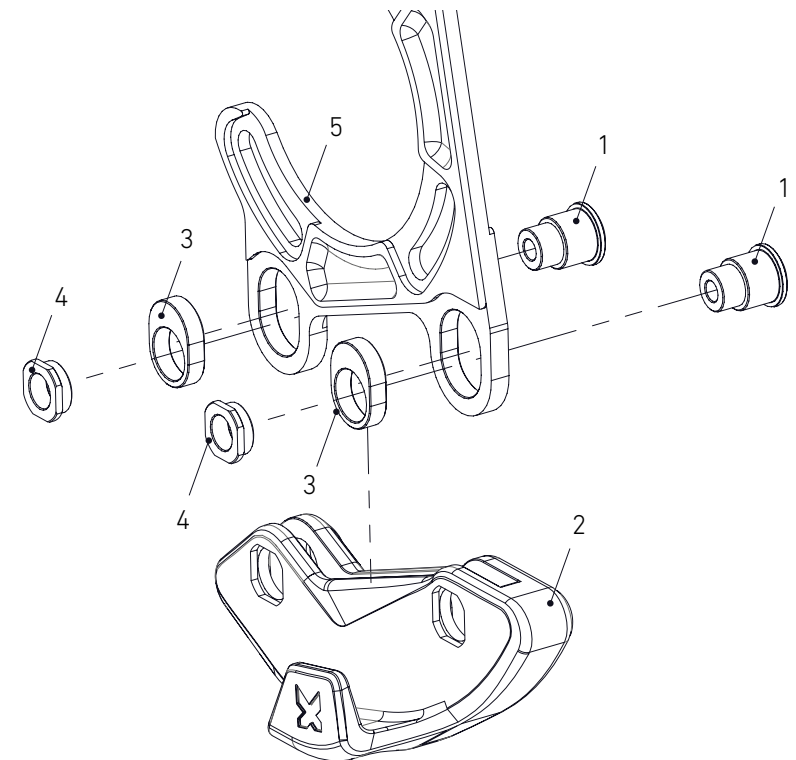
The chain guide is supplied with the taco for 30-32 teeth, in the position for 32 teeth. If you have a different chain ring size, disassemble the taco and mount the matching taco.

- 1 Select the appropriate taco to your chain ring.
- 2 Unscrew the fixing screws (1) and remove the taco (2) with the flipchips (3) and the threaded sleeves (4).
- 3 Clean all parts before installation and lightly grease the flipchips (3)
- 4 Insert the flipchips (3) into the base plate (5) in the correct orientation for your chain ring.
- 5 Insert the threaded sleeves (4) through the flipchips (3), screw in the fixing screws (1) and tighten them to a torque of 3 Nm.



Taco 30-32T ➔ 30T
Taco 34-36T ➔ 34T

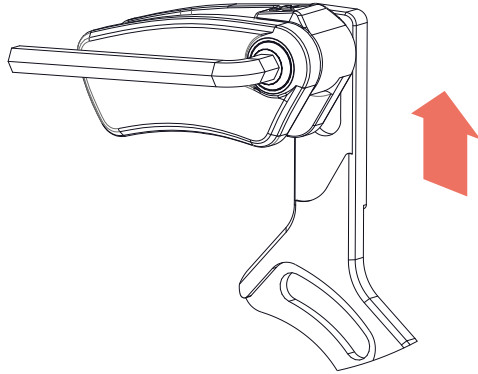
Taco 30-32T ➔ 32T
Taco 34-36T ➔ 36T





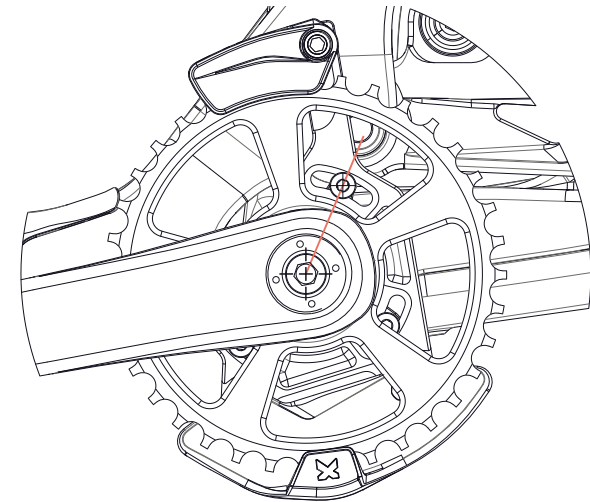
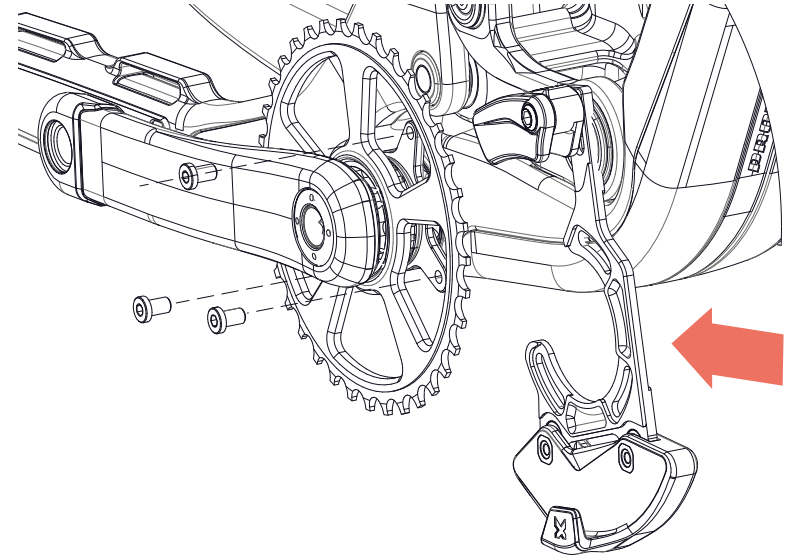
Mounting the chain guide

- 1 Slightly loosen the screw of the upper guide element and push it all the way up.



- 2 Slide the chain guide into position.

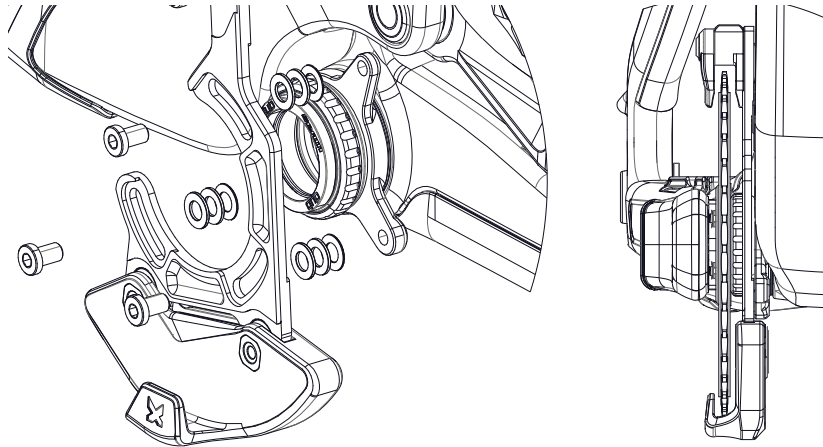
- 3 Align the chain guide to the center of the adjustment range and screw the three fixing screw into the threads of the ISCG mount on the bike frame.



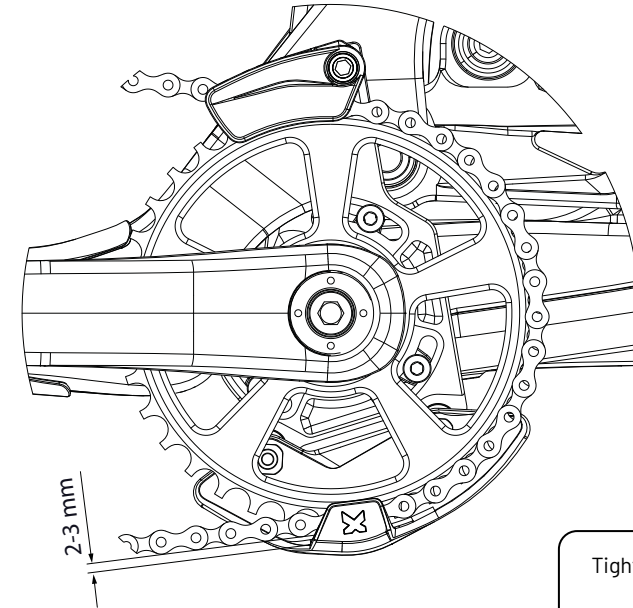


Adjusting the chain guide

- 1 Check the position of the chain ring to the upper guide element.
 - The chain ring should be approximately in the middle of the upper guide element.
 - Use the washers from the scope of delivery (6x1 mm / 3x0.5 mm) in the appropriate number so that the chain ring is in the center of the upper guide element.



- 2 Loosen the three ISCG fixing screw slightly so that the chain guide can be rotated within the adjustment range.
- 3 Shift the rear derailleur to the lowest (lightest) gear.
- 4 Turn the chain guide so that the distance between the chain and the lower guide element is approx. 2-3 mm.
- 5 Tighten the three ISCG fixing screws to a torque of 6 Nm.



Tightening torque

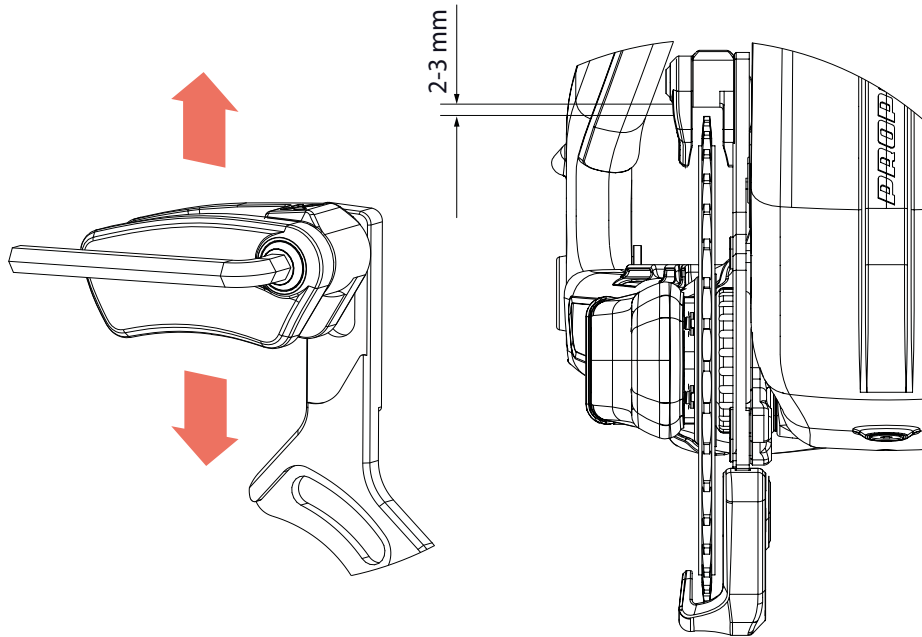
6 Nm



6 Loosen the fixing screw of the upper guide element.

7 Position the guide element so that there is a distance of 2-3 mm from the chain.

8 Tighten the fixing screw with a maximum torque of 2 Nm.



After a crash



DANGER

Danger of accident due to a damaged or broken chain guide!

- Replace your chain guide in case of damage.
- We recommend replacing the chain guide after heavy crashes with force acting on parts of the chain guide.
- If you have any doubts or questions, you must seek the help of a trained bicycle mechanic or the Sixpack Service!

Care and maintenance

The following activities must be carried out regularly:

- Check the tightening torque of all screws regularly and retighten to the specific torque if necessary.
- Clean the chain guide regularly with clear water or mild cleaner. Observe the application recommendations of the cleaner used.
- Check the chain guide regularly for cracks, deformation, discoloration or other signs of damage. A damaged chain guide must not be used any further!
- We recommend replacing the chain guide regularly in regular racing use.
- If you have any doubts or questions, you must seek the help of a trained bicycle mechanic or the Sixpack Service!